

HYDRAULIC POSITION AND MOTION CONTROL SOLUTIONS



CONTENTS

| | |
|---|----|
| ABOUT POWER-PACKER | 5 |
| STANDARD HYDRAULIC STABILIZATION LEGS | 6 |
| HEAVY-DUTY HYDRAULIC STABILIZATION LEGS | 11 |
| HYDRAULIC CYLINDERS | 14 |
| HYDRAULIC LATCHES | 18 |
| CAB SUSPENSION | 22 |
| HYDRAULIC PUMPS | 25 |
| VALVE ASSEMBLIES & CONTROL BOXES | 29 |

POWER-PACKER[®]



powerpacker.us.com



THE POWER-PACKER DIFFERENCE

MANUFACTURING LOCATION



Wisconsin, USA
516 Hillcrest Drive
Westfield, WI 53964

ABOUT POWER-PACKER

50 YEARS OF INNOVATION

For more than five decades, we've engineered a robust and innovative line of hydraulic position and motion control products and systems that have become the gold standard for tilting, latching, leveling and stabilizing systems in on- and off-highway markets.

PROGRESS IN MOTION



Seamless integration. We design our products to create easy, effortless integration for you and your customers.



Proven performance. Every product and solution must meet our rigorous quality standards to ensure reliability and optimal performance.



Added value. Our goal is to help you, your employees and customers work smarter, safer and more efficiently.



Unparalleled expertise. Rely on our expertise in hydraulic position and motion control to help deliver superior equipment to your end user.

WHO WE ARE

We're a team of experienced professionals dedicated to understanding the precision hydraulic system needs of the many markets our customers work in, including military, construction, oil and gas, mining, heavy-duty truck and trailer, fire and rescue, and medical. Through our deep technical knowledge, we strive to anticipate your future needs and design innovative products to meet them.



WHAT WE DO

We make hard-working, hydraulic position and motion control systems that are built to ISO9001 standards. Whether your project requires lifting a heavy load, supporting a packed trailer, locking a drill mast in position or stabilizing a utility truck, our team delivers personalized, timely service. No matter how simple, complex or unique your needs may be, our goal is to always give you high-quality, long-lasting and safe systems that consistently stand up to the most rigorous demands.

STANDARD HYDRAULIC STABILIZATION LEGS



Stabilize your on- and off-highway equipment

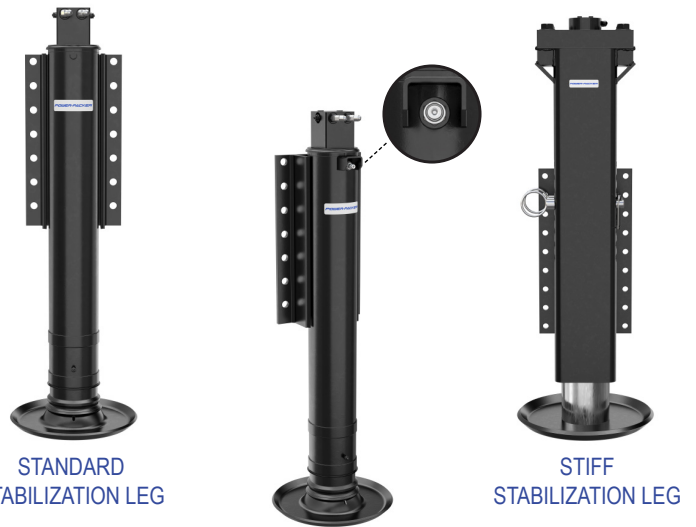
Selecting the right stabilization leg is critical to keep your equipment safely and securely in place. We offer standard stabilization legs with several optional features based on your application. Whether you're moving goods and equipment between locations or transporting heavy equipment to a portable worksite, we'll help you incorporate the best Power-Packer products into your stabilization

On-highway applications: Upgrade your stabilization system

Stabilization legs can be damaged during on-highway travel if they're not fully retracted. Upgrade your stabilization system with Power-Packer's hydraulic stabilization legs, now designed with proximity sensor capabilities. Increase longevity, optimize efficiency and avoid costly downtime. Adding a proximity sensor to your stabilization legs gives you the ability to indicate to operators when the hydraulic stabilization or jack legs are fully retracted and it's safe to move on to the next

Off-highway applications: Choose standard, stiff legs

Stabilize run-on, off-highway projects, like permanent or portable rock crushers, screen plants or power generation equipment with our standard, stiff stabilization legs. Similar in capacity to a standard leg, stiff stabilization legs offer added strength from mechanical locking pins.



STANDARD STABILIZATION LEG

STABILIZATION LEG WITH OPTIONAL PROXIMITY SENSOR

STIFF STABILIZATION LEG

STANDARD LEG OVERVIEW FOR UP TO 70,000 LB. CAPACITY

LIFT, LOWER AND HOLD

Raise equipment to the desired height to safely complete the work. Easily lower equipment to quickly move to the next project. Reliably hold equipment in place throughout duration of operation, even during extended periods of use.

LEVEL

Level equipment in virtually any environment, even rugged conditions.

STABILIZE

Wider stabilization shoes ensure stability, preventing tipping during use of equipment.

STANDARD HYDRAULIC STABILIZATION LEGS

Power-Packer's full line of hydraulic stabilization legs are designed to deliver superior performance, allowing for a more efficient, reliable and safe working environment. This product line offers several options:

- 3-, 3.5-, 4-, 5- and 6-inch bores
- 18- to 36-inch stroke
- 16,000- to 70,000-pound leg capacity
- Up to 7,000-pound side load capacity
- 10-, 12- or 16-inch swivel shoes, moving in all directions, plus or minus 5 degrees
- 8.38-, 10.63- or 16-inch mounting plates
- 5 gpm (3-inch bore), 3 gpm (3.5- or 4-inch bore), 15 gpm (5- or 6-inch bore) maximum flow rates
- Upgrade to stiff stabilization legs: Mechanical locking pins at 0.375-inch intervals give legs added stability.
- Choose proximity sensing: Add proximity sensing capabilities to many of our hydraulic legs. Two settings available, normally open or normally closed, depending on preferred control logic.

Why Choose Power-Packer Hydraulic Stabilization Legs

SAE fittings

Reduce potential leaks.

Integrated valve block

Decreases assembly time. Eliminates potential for catastrophic failure and repair costs with positive load holding, even if a line, tube or fittings are damaged or disconnected while leg is under load.

Mounting plate

Simplifies installation. Optional matching mounting plates save time spent drilling and matching mount on new or retrofit applications.

Counter-balance valve

Provides overload protection when lifting an unbalanced load.

Proximity sensor

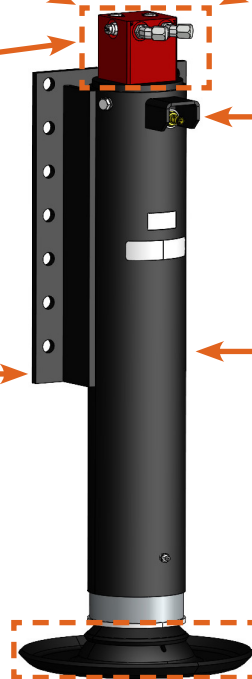
Increases leg longevity, optimizes efficiency and helps avoid costly downtime.

Tube-in-tube design

Extends cylinder life. The design isolates rod and seal from damage by rock, dust or debris.

Multiple shoe types

Shoes available in swivel, fixed or ball end for added flexibility.



STANDARD HYDRAULIC STABILIZATION LEGS

| Stabilization Leg – 3 in. (76 mm) bore – Load Capacity of 16,000 lbs. or 71.2 kN | | | | | | | | | | |
|--|-------------|-----|----------------------|-----|--------------------|-----|-----------|--------|-------|------------|
| Part No. | Stroke (SL) | | Mounting Height (MH) | | Shoe Diameter (SD) | | Shoe Type | Weight | | Valve Type |
| | in. | mm | in. | mm | in. | mm | | lbs. | kg | |
| 2010-18 | 18.0 | 457 | 25.0 | 635 | 10.0 | 254 | Swivel | 73 | 33.11 | PO Check |
| 2012-25 | 25.0 | 635 | 32.5 | 826 | 10.0 | 254 | Swivel | 92 | 41.73 | PO Check |
| 2014-18 | 18.0 | 457 | 25.0 | 635 | 10.0 | 254 | Swivel | 54 | 24.49 | PO Check |
| 2027-18 | 18.0 | 457 | 25.0 | 635 | 10.0 | 254 | Swivel | 75 | 34.02 | PO Check |
| 3510000108 | 18.0 | 457 | 26.6 | 676 | 10.0 | 254 | Swivel | 85 | 38.56 | PO Check |
| 3510000265 | 25.0 | 635 | 23.5 | 597 | 10.0 | 254 | Swivel | 105 | 47.63 | PO Check |
| Stabilization Leg – 3.5 in. (89 mm) bore – Load Capacity 24,000 lbs. or 106.8 kN | | | | | | | | | | |
| 101457 | 25.5 | 648 | 12.75 | 324 | 16.0 | 406 | Swivel | 100 | 45.36 | PO Check |
| 101527-ES | 15.0 | 381 | 20.25 | 514 | 10.0 | 254 | Fixed | 85 | 38.56 | PO Check |
| 300071 | 15.0 | 381 | 24.75 | 629 | 10.0 | 254 | Fixed | 85 | 38.56 | PO Check |
| 300072 | 16.5 | 419 | 26.25 | 667 | 10.0 | 254 | Fixed | 90 | 40.82 | PO Check |
| 300073 | 19.0 | 483 | 29.25 | 743 | 10.0 | 254 | Fixed | 95 | 43.09 | PO Check |
| 300074 | 20.0 | 508 | 29.65 | 753 | 12.0 | 305 | Swivel | 100 | 45.36 | PO Check |
| 300075 | 20.0 | 508 | 34.5 | 876 | 12.0 | 305 | Swivel | 100 | 45.36 | PO Check |
| 300076 | 24.0 | 610 | 33.5 | 851 | 12.0 | 305 | Swivel | 115 | 52.16 | PO Check |
| 300553-ES | 24.0 | 610 | 34.5 | 876 | 12.0 | 305 | Swivel | 115 | 52.16 | PO Check |
| 300554-ES | 20.0 | 508 | 29.5 | 749 | 12.0 | 305 | Swivel | 100 | 45.36 | PO Check |
| 300575-ES | 29.5 | 749 | 13.5 | 343 | 12.0 | 305 | Swivel | 135 | 61.23 | PO Check |
| 300578-ES | 20.0 | 508 | 25.5 | 648 | 12.0 | 305 | Swivel | 110 | 49.90 | PO Check |
| 9010000690 | 14.5 | 368 | 25.0 | 635 | 16.0 | 406 | Fixed | 100 | 45.36 | PO Check |
| 300666 | 25.5 | 648 | 12.75 | 324 | 16.0 | 406 | Swivel | 100 | 45.36 | PO Check |
| 3510000014 | 34.5 | 876 | 12.75 | 324 | 16.0 | 406 | Swivel | 145 | 65.77 | PO Check |
| 3510000260 | 35.0 | 889 | 12.75 | 324 | 16.0 | 406 | Swivel | 150 | 68.04 | PO Check |
| 9010000869 | 16.0 | 406 | 23.75 | 603 | 10.0 | 254 | Fixed | 95 | 43.09 | DCBV |
| 9010001153 | 24.0 | 610 | 14.4 | 366 | Knuckle | | Ball End | 105 | 47.63 | DCBV |
| 9010001233 | 24.25 | 616 | 23.75 | 603 | 12.0 | 305 | Swivel | 110 | 49.90 | PO Check |
| 9010001296 | 22.5 | 572 | 28.5 | 724 | 12.0 | 305 | Swivel | 105 | 47.63 | DCBV |
| 9010001305 | 22.5 | 572 | 22.5 | 572 | 12.0 | 305 | Swivel | 105 | 47.63 | DCBV |
| Proximity Equipped Leg – 3.5 in. (89 mm) bore | | | | | | | | | | |
| 9010001520 | 15.0 | 381 | 24.75 | 629 | 10.0 | 254 | Fixed | 85 | 38.56 | PO Check |
| 9010001521 | 20.0 | 508 | 29.65 | 753 | 12.0 | 305 | Swivel | 100 | 45.36 | PO Check |
| 9010001522 | 20.0 | 508 | 25.5 | 648 | 12.0 | 305 | Swivel | 110 | 49.90 | PO Check |
| 9010001523 | 24.0 | 610 | 14.4 | 366 | Knuckle | | Ball End | 105 | 47.63 | DCBV |
| 9010001524 | 24.0 | 610 | 34.5 | 876 | 12.0 | 305 | Swivel | 115 | 52.16 | PO Check |
| 9010001525 | 25.5 | 648 | 12.75 | 324 | 16.0 | 406 | Swivel | 100 | 45.36 | PO Check |
| 9010001526 | 29.5 | 749 | 13.5 | 343 | 12.0 | 305 | Swivel | 135 | 61.23 | PO Check |
| 9010001527 | 34.5 | 876 | 12.75 | 324 | 16.0 | 406 | Swivel | 145 | 65.77 | PO Check |
| Stiff Leg – 3.5 in. (89 mm) bore | | | | | | | | | | |
| 300634 | 20.5 | 521 | 29.5 | 749 | 12.0 | 305 | Swivel | 110 | 49.90 | PO Check |
| 300635 | 20.5 | 521 | 29.5 | 749 | 12.0 | 305 | Swivel | 110 | 49.90 | PO Check |
| 300671 | 20.5 | 521 | 29.5 | 749 | 12.0 | 305 | Swivel | 110 | 49.90 | PO Check |
| 300672 | 20.5 | 521 | 29.5 | 749 | 12.0 | 305 | Swivel | 110 | 49.90 | PO Check |

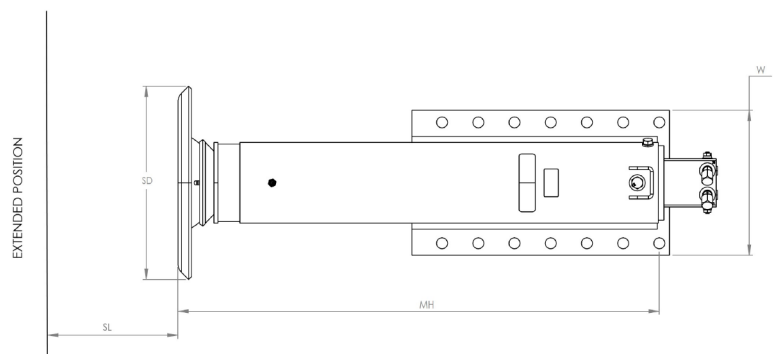
STANDARD HYDRAULIC STABILIZATION LEGS

| Stabilization Leg – 4 in. (102 mm) bore – Load Capacity 31,000 lbs. or 137.9 kN | | | | | | | | | | |
|---|-------------|------|----------------------|------|--------------------|-----|-----------|--------|--------|------------|
| Part No. | Stroke (SL) | | Mounting Height (MH) | | Shoe Diameter (SD) | | Shoe Type | Weight | | Valve Type |
| | in. | mm | in. | mm | in. | mm | | lbs. | kg | |
| 9010000795 | 36.0 | 914 | 30.0 | 761 | 12.0 | 305 | Swivel | 170 | 77.11 | DCBV |
| 9010000807 | 20.5 | 521 | 29.9 | 760 | 12.0 | 305 | Swivel | 160 | 72.57 | DCBV |
| 9010000814 | 24.5 | 622 | 29.8 | 756 | 12.0 | 305 | Swivel | 125 | 56.70 | DCBV |
| 9010000815 | 36.0 | 914 | 29.5 | 749 | 12.0 | 305 | Swivel | 165 | 74.84 | DCBV |
| 9010000816 | 25.5 | 648 | 13.0 | 330 | 16.0 | 406 | Swivel | 150 | 68.04 | DCBV |
| 9010000817 | 36.0 | 914 | 26.7 | 677 | 16.0 | 406 | Swivel | 185 | 83.91 | DCBV |
| 9010000818 | 24.5 | 622 | 33.9 | 860 | 12.0 | 305 | Swivel | 135 | 61.23 | DCBV |
| 9010000822 | 36.0 | 914 | 35.4 | 898 | 12.0 | 305 | Swivel | 170 | 77.11 | DCBV |
| 9010000824 | 36.0 | 914 | 19.4 | 491 | 12.0 | 305 | Swivel | 170 | 77.11 | DCBV |
| 9010000862 | 14.8 | 375 | 24.8 | 629 | 10.0 | 254 | Fixed | 105 | 47.63 | DCBV |
| 9010000864 | 16.5 | 419 | 28.0 | 711 | 12.0 | 305 | Swivel | 110 | 49.90 | DCBV |
| 9010000874 | 36.0 | 914 | 20.0 | 508 | 12.0 | 305 | Swivel | 170 | 77.11 | DCBV |
| 9010000885 | 36.0 | 914 | 35.9 | 912 | 16.0 | 406 | Swivel | 190 | 86.18 | DCBV |
| 9010000893 | 36.0 | 914 | 31.9 | 811 | 16.0 | 406 | Swivel | 190 | 86.18 | DCBV |
| 9010000894 | 20.5 | 521 | 30.4 | 772 | 16.0 | 406 | Swivel | 185 | 83.91 | DCBV |
| 9010001038 | 19.5 | 495 | 29.3 | 743 | 10.0 | 254 | Fixed | 115 | 52.16 | DCBV |
| 9010001133 | 14.8 | 375 | 19.0 | 482 | 10.0 | 254 | Fixed | 105 | 47.63 | DCBV |
| 9010001140 | 36.0 | 914 | 27.5 | 699 | 12.0 | 305 | Swivel | 170 | 77.11 | DCBV |
| 9010001159 | 24.5 | 622 | 22.0 | 558 | 12.0 | 305 | Swivel | 130 | 58.97 | DCBV |
| 9010001181 | 36.0 | 914 | 29.0 | 737 | 16.0 | 406 | Swivel | 200 | 90.72 | DCBV |
| 9010001263 | 48.0 | 1219 | 19.7 | 500 | 16.0 | 406 | Swivel | 235 | 106.59 | DCBV |
| 9010001264 | 16.0 | 406 | 18.5 | 470 | 10.0 | 254 | Fixed | 110 | 49.90 | DCBV |
| 9010001288 | 36.0 | 914 | 30.8 | 781 | 16.0 | 406 | Swivel | 190 | 86.18 | DCBV |
| 9010001327 | 36.0 | 914 | 45.9 | 1166 | 16.0 | 406 | Swivel | 190 | 86.18 | DCBV |
| Proximity Equipped Leg – 4 in. (102 mm) bore | | | | | | | | | | |
| 9010001497 | 20.5 | 521 | 29.9 | 760 | 12.0 | 305 | Swivel | 160 | 72.57 | DCBV |
| 9010001528 | 14.8 | 375 | 24.8 | 629 | 10.0 | 254 | Fixed | 105 | 47.63 | DCBV |
| 9010001529 | 16.5 | 419 | 28.0 | 711 | 12.0 | 305 | Swivel | 110 | 49.90 | DCBV |
| 9010001531 | 24.5 | 622 | 22.0 | 558 | 12.0 | 305 | Swivel | 130 | 58.97 | DCBV |
| 9010001532 | 24.5 | 622 | 33.9 | 860 | 12.0 | 305 | Swivel | 135 | 61.23 | DCBV |
| 9010001533 | 25.5 | 648 | 13.0 | 330 | 16.0 | 406 | Swivel | 150 | 68.04 | DCBV |
| 9010001534 | 36.0 | 914 | 30.0 | 761 | 12.0 | 305 | Swivel | 170 | 77.11 | DCBV |
| Stiff Leg – 4 in. (102 mm) bore | | | | | | | | | | |
| 9010000804 | 20.5 | 521 | 29.9 | 760 | 12.0 | 305 | Swivel | 160 | 72.57 | DCBV |
| 9010000805 | 20.5 | 521 | 29.9 | 760 | 12.0 | 305 | Swivel | 160 | 72.57 | DCBV |
| 9010000806 | 20.5 | 521 | 29.9 | 760 | 12.0 | 305 | Swivel | 160 | 72.57 | DCBV |
| 9010000813 | 20.5 | 521 | 29.9 | 760 | 12.0 | 305 | Swivel | 170 | 77.11 | DCBV |
| 9010000819 | 24.5 | 622 | 33.9 | 860 | 12.0 | 305 | Swivel | 170 | 77.11 | DCBV |
| 9010000825 | 36.0 | 914 | 30.0 | 761 | 12.0 | 305 | Swivel | 190 | 86.18 | DCBV |
| 9010000826 | 16.0 | 406 | 26.4 | 670 | 10.5 | 267 | Fixed | 145 | 65.77 | DCBV |
| 9010000827 | 16.0 | 406 | 26.4 | 670 | 10.5 | 267 | Fixed | 145 | 65.77 | DCBV |
| 9010000854 | 24.5 | 622 | 34.9 | 885 | 12.0 | 305 | Swivel | 175 | 79.38 | DCBV |

STANDARD HYDRAULIC STABILIZATION LEGS

| Stiff Leg – 4 in. (102 mm) bore | | | | | | | | | | |
|--|-------------|------|----------------------|-----|--------------------|-----|-----------|--------|--------|------------|
| Part No. | Stroke (SL) | | Mounting Height (MH) | | Shoe Diameter (SD) | | Shoe Type | Weight | | Valve Type |
| | in. | mm | in. | mm | in. | mm | | lbs. | kg | |
| 9010001146 | 15.5 | 394 | 13.0 | 330 | 12.0 | 305 | Swivel | 110 | 49.90 | DCBV |
| 9010001150 | 15.5 | 394 | 13.0 | 330 | 12.0 | 305 | Swivel | 110 | 49.90 | DCBV |
| 9010001211 | 24.5 | 622 | 23.6 | 599 | 12.0 | 305 | Swivel | 170 | 77.11 | DCBV |
| Stabilization Leg – 5 in. (127 mm) bore - Load Capacity of 49,000 lbs. or 218 kN | | | | | | | | | | |
| 300463-ES | 18.0 | 457 | 19.7 | 500 | 16.0 | 406 | Swivel | 275 | 124.74 | PO Check |
| 300464-ES | 24.0 | 610 | 19.5 | 495 | 16.0 | 406 | Swivel | 340 | 154.22 | PO Check |
| 300465-ES | 36.0 | 914 | 19.5 | 495 | 16.0 | 406 | Swivel | 375 | 170.10 | PO Check |
| 300487-ES | 18.0 | 457 | 24.0 | 610 | 16.0 | 406 | Swivel | 340 | 154.22 | PO Check |
| 300488-ES | 24.0 | 610 | 24.4 | 618 | 16.0 | 406 | Swivel | 350 | 158.76 | PO Check |
| 300490-ES | 36.0 | 914 | 24.0 | 610 | 16.0 | 406 | Swivel | 500 | 226.80 | PO Check |
| 300491-ES | 48.0 | 1219 | 24.0 | 610 | 16.0 | 406 | Swivel | 600 | 272.16 | PO Check |
| 300518-ES | 24.0 | 610 | 24.0 | 610 | 16.0 | 406 | Swivel | 400 | 181.44 | PO Check |
| 9010000605 | 48.0 | 1219 | 19.5 | 495 | 16.0 | 406 | Swivel | 600 | 272.16 | PO Check |
| 9010000642 | 36.0 | 914 | 19.5 | 495 | 16.0 | 406 | Swivel | 370 | 167.83 | PO Check |
| 9010001078 | 24.0 | 610 | 24.3 | 617 | 16.0 | 406 | Swivel | 390 | 176.90 | DCBV |
| 9010001079 | 36.0 | 914 | 19.9 | 505 | 16.0 | 406 | Swivel | 375 | 170.10 | DCBV |
| 9010001080 | 18.0 | 457 | 19.9 | 505 | 16.0 | 406 | Swivel | 375 | 170.10 | DCBV |
| 9010001077 | 24.0 | 610 | 24.3 | 617 | 10.5 | 267 | Swivel | 350 | 158.76 | DCBV |
| 9010001160 | 36.0 | 914 | 33.0 | 838 | 16.0 | 406 | Swivel | 390 | 176.90 | PO Check |
| 9010001277 | 24.0 | 610 | 20.5 | 521 | 10.5 | 267 | Swivel | 340 | 154.22 | DCBV |
| 9010001297 | 36.0 | 914 | 34.9 | 887 | 16.0 | 406 | Swivel | 390 | 176.90 | DCBV |
| Stabilization Leg – 6 in. (152 mm) bore - Load Capacity of 70,000 lbs. or 311.4 kN | | | | | | | | | | |
| 300050 | 18.0 | 457 | 27.3 | 693 | 16.0 | 406 | Swivel | 270 | 122.47 | PO Check |
| 300084 | 24.0 | 610 | 27.4 | 696 | 16.0 | 406 | Swivel | 300 | 136.08 | PO Check |
| 300137-ES | 36.0 | 914 | 27.3 | 693 | 16.0 | 406 | Swivel | 360 | 163.29 | PO Check |
| 9010001076 | 24.0 | 610 | 27.5 | 699 | 16.0 | 406 | Swivel | 350 | 158.76 | DCBV |
| 9010001082 | 36.0 | 914 | 27.5 | 699 | 16.0 | 406 | Swivel | 420 | 190.51 | DCBV |
| Stiff Leg – 6 in. (152 mm) bore | | | | | | | | | | |
| 300184-ES | 18.0 | 457 | 27.8 | 705 | 16.0 | 406 | Swivel | 530 | 240.40 | PO Check |
| 300431-ES | 24.0 | 610 | 28.0 | 711 | 16.0 | 406 | Swivel | 560 | 254.01 | PO Check |
| 300439-ES | 36.0 | 914 | 27.8 | 705 | 16.0 | 406 | Swivel | 660 | 299.37 | PO Check |
| 9010001075 | 36.0 | 914 | 28.0 | 711 | 16.0 | 406 | Swivel | 660 | 299.37 | DCBV |

| Proximity Sensor Kit | |
|----------------------|---|
| Part No. | Part Name |
| 1010003864 | Kit, Proximity Switch Normally Open (NO) with Cable |
| 1010003865 | Kit, Proximity Switch Normally Closed (NC) with Cable |



HEAVY-DUTY HYDRAULIC STABILIZATION LEGS



Power, performance and reliability for the toughest applications

Safely support and level a wide range of the most rugged equipment in the toughest work environments. Our heavy-duty stabilization legs arrive completely assembled and tested with a bolt-on, outer tube mount conveniently integrated into the design.

HEAVY-DUTY LEG OVERVIEW FOR UP TO 85,000LB LEG CAPACITY

LARGER CAPACITY

Heavy-duty stabilization legs offer greater lift capacity and mechanical load holding. Depending on the stroke size HD Stabilization legs offer 10 to 20% additional side load capacity.

RUGGED ALL-WEATHER DESIGN

Designed to withstand all temperatures, including extreme cold, heavy-duty legs have a dual cylinder guide ring to help keep external contaminants out and offer lateral stability. The durable locknut construction also provides solid support.

ENHANCED PRODUCTIVITY

The flexible design allows you to optimize your in-house processes. The legs are shipped complete, with no assembly process required.

IMPROVED SAFETY

Integrated dual counterbalance valves eliminate potential catastrophic failures when the valve is remotely located. The relieving function ensures the heavy-duty legs have positive load holding in case of pressure loss.



HEAVY-DUTY HYDRAULIC STABILIZATION LEGS

Our Heavy-Duty Hydraulic Stabilization Leg product line offers several options:

- 5- and 6-inch bore options
- 12-, 18-, 24- and 36-inch stroke options
- 58,000 to 85,000-pound leg capacity
- 170,000-pound mechanical load holding
- 0 to 20% side-load capacity
- 14- and 20-degree swivel shoe options
- 11- and 25.5-inch mounting plate option
- 5 gpm maximum flow rate

Why Choose Power-Packer Heavy-Duty Stabilization Legs

Integrated valve block/dual counterbalance valves

Provides overload protection and positive load holding in case of damage or disconnection while the leg is under load.

Dual guide rings

Located inside an outer-mount tube to offer side load advantage and save on wear.

Infinitely adjustable stiff leg

Allows for maximum safety and flexibility.

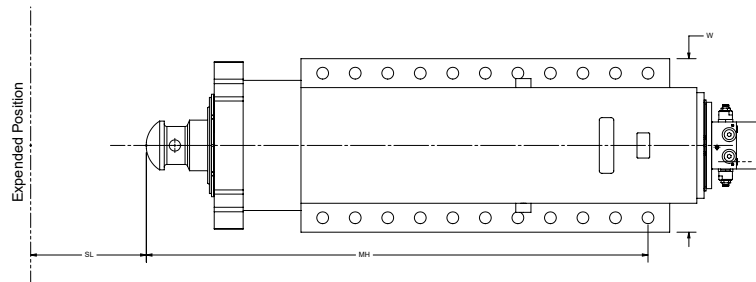


Two different back mounting plate options
Allow for ease of attachment.

Removable footpads available

HEAVY-DUTY STABILIZATION LEGS

| Heavy-Duty Stabilization Leg | | | | | | | | | | | | | | | |
|------------------------------|---------------|------|-----|-------------|-----|----------------------|-------|-------------------|-----|----------------|-----|------------|-----|--------|--------|
| Part No. | Mech. Locking | Bore | | Stroke (SL) | | Mounting Height (MH) | | Bracket Width (W) | | Bracket Height | | Hole Width | | Weight | |
| | | in. | mm | in. | mm | in. | mm | in. | mm | in. | mm | in. | mm | lbs. | kg |
| 9010001341 | Yes | 5.0 | 127 | 12.0 | 305 | 18.65 | 473.7 | 12.0 | 305 | 11.0 | 279 | 10.0 | 254 | 240 | 108.86 |
| 9010001347 | Yes | 5.0 | 127 | 18.0 | 457 | 34.65 | 880.1 | 12.0 | 305 | 25.5 | 648 | 10.0 | 254 | 320 | 145.15 |
| 9010001345 | Yes | 5.0 | 127 | 24.0 | 610 | 34.65 | 880.1 | 12.0 | 305 | 25.5 | 648 | 10.0 | 254 | 375 | 170.10 |
| 9010001346 | Yes | 5.0 | 127 | 36.0 | 914 | 34.65 | 880.1 | 12.0 | 305 | 25.5 | 648 | 10.0 | 254 | 420 | 190.51 |
| 9010001290 | Yes | 6.0 | 152 | 12.0 | 305 | 18.65 | 473.7 | 12.0 | 305 | 11.0 | 279 | 10.0 | 254 | 280 | 127.01 |
| 9010001292 | Yes | 6.0 | 152 | 18.0 | 457 | 34.65 | 880.1 | 12.0 | 305 | 25.5 | 648 | 10.0 | 254 | 370 | 167.83 |
| 9010001293 | Yes | 6.0 | 152 | 24.0 | 610 | 34.65 | 880.1 | 12.0 | 305 | 25.5 | 648 | 10.0 | 254 | 430 | 195.04 |
| 9010001294 | Yes | 6.0 | 152 | 36.0 | 914 | 34.65 | 880.1 | 12.0 | 305 | 25.5 | 648 | 10.0 | 254 | 480 | 217.72 |



HYDRAULIC CYLINDERS



Simple, durable and safe delivery of power

Whether you need to push, pull, lift or lower your equipment, our hydraulic cylinders deliver controlled, reliable, safe actuation of your equipment. Offered in a variety of different strokes, bores and mounting configurations, our hydraulic cylinders' tube-in-tube design helps you minimize damage.

HYDRAULIC CYLINDERS OVERVIEW FOR UP TO 5,000 PSI OPERATING PRESSURE

FLEXIBILITY

A variety of stroke, bore and mounting configurations are available. A fixed return tube means the retract and extend ports can be in the same location for easier hose routing and installation.

RELIABILITY

Our cylinders are designed for a high duty cycle and constructed to deliver maximum performance for the most rigorous applications. An optional filter is available on select models to keep out contaminants.

SINGLE- OR DOUBLE-ACTING DESIGNS

Single-acting cylinders are cost effective for simple applications. Double-acting cylinders provide precise control and offer controlled movement in from either end of the cylinder.

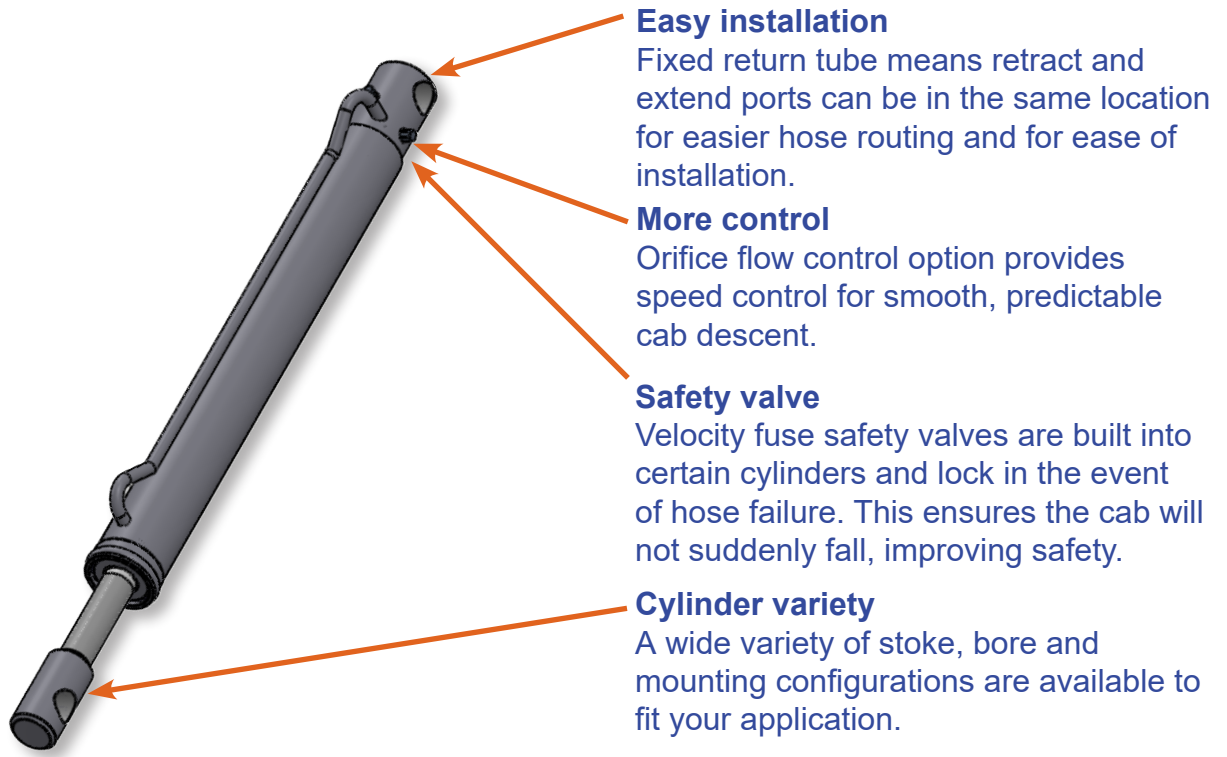


HYDRAULIC CYLINDERS

Available in single- or double-acting designs, our reliable, lightweight cylinders offer a variety of rod-end and base-mounting configurations. Optional tamper-proof velocity fuses and built-in flow control features are also available. Other important features and benefits include:

- 6- to 23-inch standard stroke lengths
- 3,500-5,000 psi maximum operating pressure
- 1.5- to 2.5-inch bore diameters
- Fixed return tube
- Available with pilot-operated check valves or dual, counterbalance valves

Why Choose Power-Packer Hydraulic Cylinders

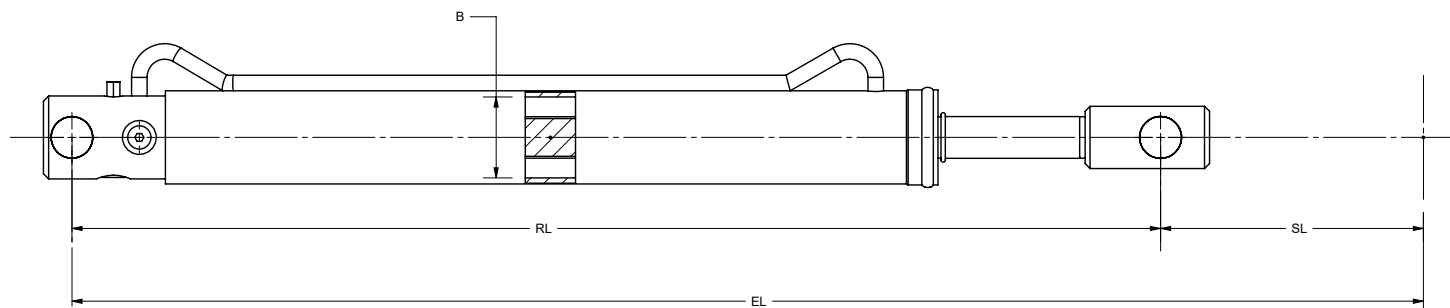


HYDRAULIC CYLINDERS

| Hydraulic Cylinders | | | | | | | | | | | | | | | |
|---------------------|-------|----|-------------|-----|------------------|------|-----------------|------|-------------|----------------------|---------------|----------------------|--------|--------|-------|
| Part No. | Bore | | Stroke (SL) | | Retracted Length | | Extended Length | | Ports | Single/Double Acting | Velocity Fuse | Max Working Pressure | | Weight | |
| | in. | mm | in. | mm | in. | mm | in. | mm | | | | psi | bar | lbs. | kg |
| CB15061200 | 1.5 | 38 | 5.63 | 143 | 10.68 | 271 | 16.25 | 413 | 1/8-27 NPTF | S | Yes | 500 | 34.47 | 4.0 | 1.81 |
| 9010001164 | 1.5 | 38 | 6.23 | 158 | 17.00 | 432 | 23.23 | 590 | 1/8-27 NPTF | S | Yes | 5000 | 344.74 | 6.0 | 2.72 |
| CA15067300 | 1.5 | 38 | 6.23 | 158 | 17.00 | 432 | 23.23 | 590 | 1/8-27 NPTF | D | Yes | 5000 | 344.74 | 6.5 | 2.95 |
| CA15087501 | 1.5 | 38 | 7.88 | 200 | 13.50 | 343 | 21.38 | 543 | 1/8-27 NPTF | D | Yes | 5000 | 344.74 | 6.0 | 2.72 |
| CA15097302 | 1.5 | 38 | 8.37 | 213 | 17.00 | 432 | 25.37 | 644 | 1/8-27 NPTF | D | Yes | 5000 | 344.74 | 10.0 | 4.54 |
| CA15099301 | 1.5 | 38 | 8.50 | 216 | 8.84 | 225 | 17.31 | 440 | 1/8-27 NPTF | D | Yes | 3500 | 241.32 | 7.0 | 3.18 |
| CS10127502 | 1.5 | 38 | 12.00 | 305 | 18.25 | 464 | 30.25 | 768 | 1/4-18 NPTF | S | Yes | 5000 | 344.74 | 7.0 | 3.18 |
| 9010001335 | 1.5 | 38 | 13.00 | 330 | 19.50 | 495 | 32.50 | 826 | 1/8-27 NPTF | S | No | 5000 | 344.74 | 8.5 | 3.86 |
| CS10137302 | 1.5 | 38 | 13.00 | 330 | 19.50 | 495 | 32.50 | 826 | 1/8-27 NPTF | S | No | 5000 | 344.74 | 7.0 | 3.18 |
| DCD2-100416 | 1.5 | 38 | 13.00 | 330 | 18.30 | 465 | 31.30 | 795 | M14x515 | D | No | 5000 | 344.74 | 9.0 | 4.08 |
| CA15137310 | 1.5 | 38 | 13.12 | 333 | 18.75 | 476 | 31.87 | 809 | 1/8-27 NPTF | D | Yes | 5000 | 344.74 | 7.0 | 3.18 |
| CA15137311 | 1.5 | 38 | 13.12 | 333 | 18.75 | 476 | 31.87 | 809 | 1/8-27 NPTF | D | Yes | 5000 | 344.74 | 7.0 | 3.18 |
| CA15137317 | 1.5 | 38 | 13.12 | 333 | 18.75 | 476 | 31.87 | 809 | 1/8-27 NPTF | D | Yes | 5000 | 344.74 | 7.0 | 3.18 |
| CD15157502 | 1.5 | 38 | 15.16 | 385 | 24.37 | 619 | 38.66 | 982 | 1/8-27 NPTF | D | No | 5000 | 344.74 | 6.0 | 2.72 |
| CD15157504 | 1.5 | 38 | 15.16 | 385 | 24.33 | 618 | 38.75 | 984 | 1/8-27 NPTF | D | No | 5000 | 344.74 | 6.0 | 2.72 |
| CA15167316 | 1.5 | 38 | 16.20 | 411 | 21.35 | 542 | 37.55 | 954 | 1/8-27 NPTF | D | Yes | 5000 | 344.74 | 7.0 | 3.18 |
| CA15167317 | 1.5 | 38 | 16.20 | 411 | 21.35 | 542 | 37.55 | 954 | 1/8-27 NPTF | D | Yes | 5000 | 344.74 | 7.0 | 3.18 |
| CA15167310 | 1.5 | 38 | 16.25 | 413 | 23.50 | 597 | 39.75 | 1010 | 1/8-27 NPTF | D | Yes | 5000 | 344.74 | 7.0 | 3.18 |
| CA15167313 | 1.5 | 38 | 16.25 | 413 | 23.50 | 597 | 39.75 | 1010 | 1/8-27 NPTF | D | Yes | 5000 | 344.74 | 7.0 | 3.18 |
| CA15167315 | 1.5 | 38 | 16.25 | 413 | 23.50 | 597 | 39.75 | 1010 | 1/8-27 NPTF | D | Yes | 5000 | 344.74 | 7.0 | 3.18 |
| CA15187503 | 1.5 | 38 | 17.67 | 449 | 28.45 | 723 | 46.12 | 1171 | 1/8-27 NPTF | D | Yes | 5000 | 344.74 | 8.0 | 3.63 |
| CA15187501 | 1.5 | 38 | 17.82 | 453 | 25.94 | 659 | 43.75 | 1111 | 1/8-27 NPTF | D | Yes | 5000 | 344.74 | 7.0 | 3.18 |
| CA15187506 | 1.5 | 38 | 18.07 | 459 | 28.45 | 723 | 46.52 | 1182 | SAE#4 | D | Yes | 5000 | 344.74 | 8.0 | 3.63 |
| CA15227504 | 1.5 | 38 | 21.81 | 554 | 29.62 | 752 | 51.43 | 1306 | 1/8-27 NPTF | D | Yes | 5000 | 344.74 | 12.0 | 5.44 |
| CS10237502 | 1.5 | 38 | 23.00 | 584 | 29.25 | 743 | 52.25 | 1327 | 1/4-18 NPTF | S | No | 5000 | 344.74 | 12.0 | 5.44 |
| CA15307500 | 1.5 | 38 | 30.16 | 766 | 44.20 | 1123 | 74.36 | 1889 | 1/8-27 NPTF | D | Yes | 5000 | 344.74 | 18.0 | 8.16 |
| 9010001166 | 1.625 | 41 | 29.00 | 737 | 38.00 | 965 | 67.00 | 1702 | SAE#6 | D | No | 3500 | 241.32 | 25.0 | 11.34 |
| 9010001286 | 1.625 | 41 | 29.00 | 737 | 37.50 | 953 | 66.50 | 1689 | SAE#4 | D | No | 3500 | 241.32 | 27.0 | 12.25 |

HYDRAULIC CYLINDERS

| Hydraulic Cylinders | | | | | | | | | | | | | | | |
|---------------------|------|----|-------------|-----|------------------|-----|-----------------|------|-------------|----------------------|---------------|----------------------|--------|--------|-------|
| Part No. | Bore | | Stroke (SL) | | Retracted Length | | Extended Length | | Ports | Single/Double Acting | Velocity Fuse | Max Working Pressure | | Weight | |
| | in. | mm | in. | mm | in. | mm | in. | mm | | | | psi | bar | lbs. | kg |
| CD20053300-TAN | 2 | 51 | 4.50 | 114 | 11.90 | 302 | 16.40 | 417 | SAE#4 | S | No | 4000 | 275.79 | 14.0 | 6.35 |
| CD20053301 | 2 | 51 | 6.00 | 152 | 12.38 | 314 | 18.38 | 467 | SAE#4 | S | No | 3500 | 241.32 | 14.0 | 6.35 |
| CA20107307 | 2 | 51 | 10.38 | 264 | 17.88 | 454 | 28.26 | 718 | 1/8-27 NPTF | D | Yes | 5000 | 344.74 | 6.0 | 2.72 |
| DCD17117694 | 2 | 51 | 11.30 | 287 | 22.40 | 569 | 33.70 | 856 | M12x15 | D | No | 6000 | 413.69 | 17.0 | 7.71 |
| 9010001340 | 2 | 51 | 12.90 | 328 | 26.00 | 660 | 38.90 | 988 | SAE#4 | D | No | 3500 | 241.32 | 15.0 | 6.80 |
| CA20157305 | 2 | 51 | 13.12 | 333 | 26.00 | 660 | 32.87 | 835 | SAE#4 | D | Yes | 3500 | 241.32 | 17.0 | 7.71 |
| 9010000178 | 2 | 51 | 15.75 | 400 | 26.25 | 667 | 42.00 | 1067 | SAE#4 | D | Yes | 4350 | 299.92 | 18.0 | 8.16 |
| 9010001221-TAN | 2 | 51 | 15.75 | 400 | 26.25 | 667 | 42.00 | 1067 | SAE#4 | D | No | 4350 | 299.92 | 12.0 | 5.44 |
| CA20157303 | 2 | 51 | 15.75 | 400 | 26.25 | 667 | 42.00 | 1067 | SAE#4 | D | Yes | 3500 | 241.32 | 8.0 | 3.63 |
| CA20157304 | 2 | 51 | 15.75 | 400 | 26.00 | 660 | 41.75 | 1060 | SAE#4 | D | Yes | 3500 | 241.32 | 10.0 | 4.54 |
| CA20167304 | 2 | 51 | 15.94 | 405 | 26.00 | 660 | 41.94 | 1065 | SAE#4 | D | Yes | 3500 | 241.32 | 12.0 | 5.44 |
| 9010000470 | 2 | 51 | 16.38 | 416 | 34.00 | 864 | 50.38 | 1280 | SAE#4 | D | No | 3500 | 241.32 | 20.0 | 9.07 |
| CA20187304 | 2 | 51 | 17.65 | 448 | 28.45 | 723 | 46.10 | 1171 | 1/8-27 NPTF | D | Yes | 3500 | 241.32 | 14.0 | 6.35 |
| CA20187307 | 2 | 51 | 18.07 | 459 | 28.45 | 723 | 46.52 | 1182 | SAE#4 | D | Yes | 3500 | 241.32 | 15.0 | 6.80 |
| CA20197300 | 2 | 51 | 18.75 | 476 | 25.17 | 639 | 43.92 | 1116 | 1/8-27 NPTF | D | Yes | 3000 | 206.84 | 15.0 | 6.80 |
| CA20197301 | 2 | 51 | 18.75 | 476 | 25.17 | 639 | 43.92 | 1116 | 1/8-27 NPTF | D | Yes | 3500 | 241.32 | 15.0 | 6.80 |
| 9010000321 | 2 | 51 | 23.00 | 584 | 34.00 | 864 | 57.00 | 1448 | SAE#4 | D | No | 3500 | 241.32 | 30.0 | 13.61 |
| CD23073501 | 2.25 | 57 | 7.25 | 184 | 13.60 | 345 | 20.85 | 530 | SAE#6 | S | No | 5000 | 344.74 | 16.0 | 7.26 |
| CD23113500-TAN | 2.25 | 57 | 10.75 | 273 | 17.10 | 434 | 27.85 | 707 | SAE#6 | S | No | 5000 | 344.74 | 16.0 | 7.26 |
| 9010000217-TAN | 2.5 | 64 | 12.39 | 315 | 19.00 | 483 | 31.39 | 797 | SAE#4 | D | No | 5000 | 344.74 | 20.0 | 9.07 |
| CD25149500 | 2.5 | 64 | 13.63 | 346 | 26.63 | 676 | 40.25 | 1022 | SAE#4 | D | Yes | 4500 | 310.26 | 20.0 | 9.07 |



HYDRAULIC LATCHES



Safe, secure connection between two joints of a system

Our latches provide a safe, secure way to ensure covers and cabs are locked down for travel. Designed to be compact and versatile while still delivering the strength you need, our uniquely designed hydraulic latches clearly indicate when the latch is engaged.

HYDRAULIC LATCH OVERVIEW FOR UP TO 10,000 LB. VERTICAL LOAD

SECURE CONNECTION

Safely and securely create a connection between two joints of a system during operation.

VERSATILITY

The compact latch size delivers on strength, single or multiple uses, and fits into limited footprint space locations in your design.

DESIGNED FOR EASY SAFETY DETECTION

The unique design includes a latch indicator that shows when the latch is engaged.

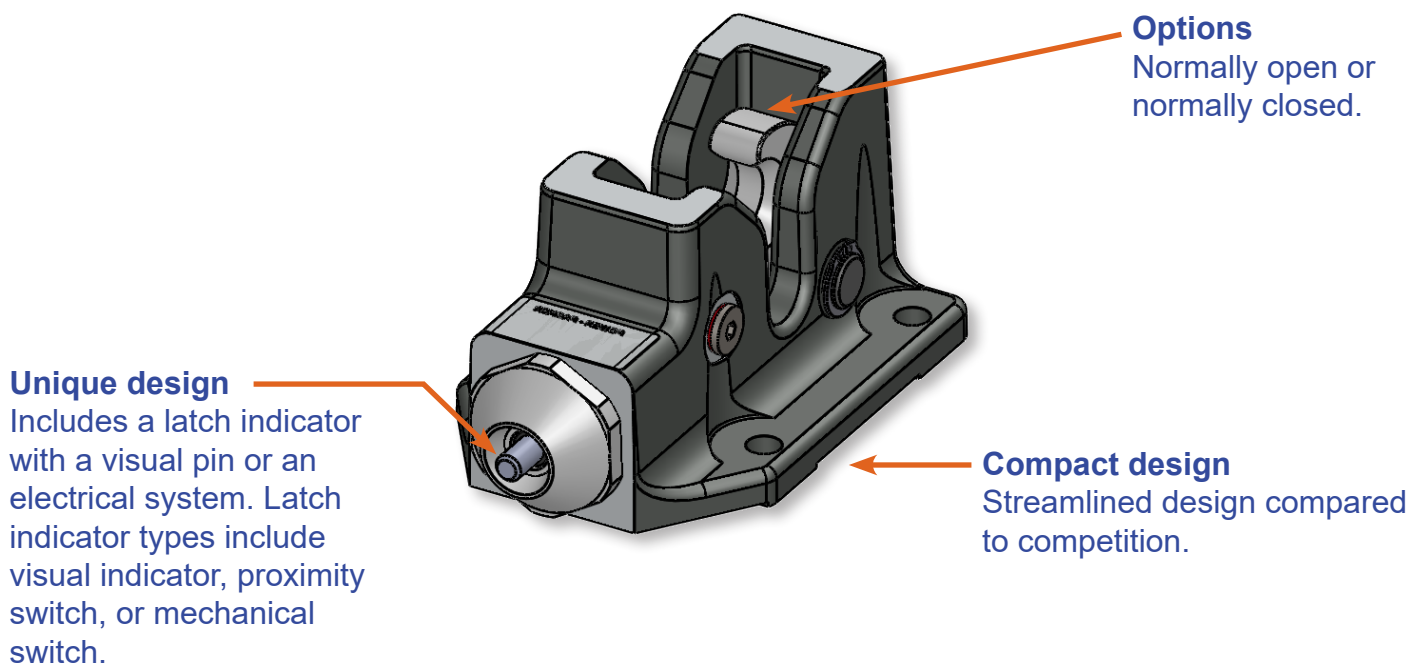


HYDRAULIC LATCHES

Our unique, compact, user-friendly design has a visual latch indicator or an indicator switch that can be integrated into the vehicle safety system with a light or a vehicle interlock. The latch locks mechanically and releases hydraulically. Other features and benefits include:

- **Maximum vertical pull load of 10,000 pounds**
- **Maximum hydraulic pressure of 5,000 psi**
- **-30 to 130 F operating temperature**
- **Corrosion resistance of 200 hours per ANSI B1117**
- **Fluid: MIL-PRF-5606 or equivalent**
- **Design includes one of these latch indicators:**
 - **Visual indicator**
 - **Proximity switch**
 - **Electrical positional indicator switch**

Why Choose Power-Packer Hydraulic Latches

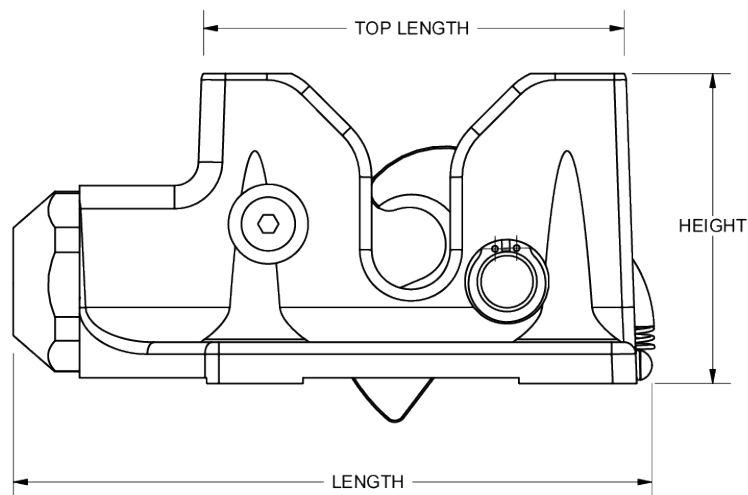


HYDRAULIC LATCHES

| Hydraulic Latches | | | | | | | | | | | | | |
|-------------------|---|--------|-------|--------|-------|------------|-------|----------------|-----------------|-------------|-------------------------------|--------|---------|
| Part No. | Description | Height | | Length | | Top Length | | Mounting Holes | Base Dimensions | | Indicator Type | Weight | |
| | | in. | mm | in. | mm | in. | mm | | in. | mm | | lbs. | g |
| LH30037213 | CAB LATCH | 9.00 | 228.6 | 6.25 | 158.8 | N/A | N/A | 2 | 6.25X3.5 | 158.8X88.9 | None | 9.7 | 4399.84 |
| LH30037220 | CAB LATCH | 9.00 | 228.6 | 5.50 | 139.7 | N/A | N/A | 4 | 5.5X4 | 139.7X101.6 | None | 10.2 | 4608.49 |
| LH30037221 | CAB LATCH | 10.80 | 274.3 | 5.50 | 139.7 | N/A | N/A | 4 | 5.5X4 | 139.7X101.6 | None | 12.8 | 5805.98 |
| LH30037230 | CAB LATCH | 9.60 | 243.8 | 5.50 | 139.7 | N/A | N/A | 5 | 5.5X4 | 139.7X101.6 | None | 12.8 | 5805.98 |
| LH30037232 | CAB LATCH | 9.00 | 228.6 | 6.25 | 158.8 | N/A | N/A | 2 | 6.25X3.5 | 158.8X88.9 | None | 9.7 | 4399.84 |
| LH30037233 | CAB LATCH | 9.00 | 228.6 | 6.25 | 158.8 | N/A | N/A | 2 | 6.25X3.5 | 158.8X88.9 | None | 9.7 | 4399.84 |
| LH30037235 | CAB LATCH | 9.65 | 245.1 | 5.38 | 136.7 | N/A | N/A | 4 | 5.38X4 | 136.7X101.6 | None | 11.8 | 5352.39 |
| LH30037236 | CAB LATCH | 10.15 | 257.8 | 5.38 | 136.7 | N/A | N/A | 4 | 5.38X4 | 136.7X101.6 | None | 12.7 | 5760.62 |
| LH50000101 | LATCH ASM VISUAL INDICATOR W/ SWITCH | 3.75 | 95.3 | 6.60 | 167.6 | 4.5 | 114.3 | 4 | 4.5X4 | 114.3X101.6 | VISUAL INDICATOR | 3.4 | 1542.21 |
| LH50000102 | LATCH ASM VISUAL INDICATOR OPEN FREIGHT-LINER | 3.20 | 81.3 | 6.60 | 167.6 | 4.5 | 114.3 | 4 | 4.5X4 | 114.3X101.6 | VISUAL INDICATOR | 3.6 | 1623.86 |
| LH50000104 | LATCH | 3.20 | 81.3 | 6.60 | 167.6 | 4.5 | 114.3 | 4 | 4.5X4 | 114.3X101.6 | VISUAL INDICATOR | 3.4 | 1542.21 |
| LH50000105 | LATCH ASM WITH GREEN PAINT | 3.20 | 81.3 | 6.50 | 165.1 | 4.5 | 114.3 | 4 | 4.5X4 | 114.3X101.6 | VISUAL INDICATOR | 3.6 | 1637.47 |
| LH50000107 | LATCH ASM VISUAL INDICATOR W/ SWITCH | 3.20 | 81.3 | 6.50 | 165.1 | 4.5 | 114.3 | 4 | 4.5X4 | 114.3X101.6 | NORMALLY ON | 3.4 | 1542.21 |
| LH50000108 | LATCH ASM VISUAL INDICATOR W/ CATCH | 3.50 | 88.9 | 6.50 | 165.1 | 4.5 | 114.3 | 4 | 4.5X4 | 114.3X101.6 | VISUAL INDICATOR | 3.4 | 1542.21 |
| LH50000109 | LATCH, PACKARD CONNECTOR | 3.20 | 81.3 | 6.50 | 165.1 | 4.5 | 114.3 | 4 | 4.5X4 | 114.3X101.6 | NORMALLY ON PACKARD CONNECTOR | 3.4 | 1542.21 |
| LH50000111 | LATCH ASM VISUAL INDICATOR W/CATCH & FITTINGS | 3.20 | 81.3 | 6.50 | 165.1 | 4.5 | 114.3 | 4 | 4.5X4 | 114.3X101.6 | VISUAL INDICATOR | 3.4 | 1542.21 |
| LH50000112 | LATCH ASM VISUAL INDICATOR AND BRACKET | 3.53 | 89.7 | 6.50 | 165.1 | 4.5 | 114.3 | 4 | 4.5X4 | 114.3X101.6 | VISUAL INDICATOR | 4.1 | 1841.58 |
| LH50000114 | LATCH NORMALLY ON | 3.20 | 81.3 | 6.50 | 165.1 | 4.5 | 114.3 | 4 | 4.5X4 | 114.3X101.6 | VISUAL INDICATOR | 3.4 | 1542.21 |

HYDRAULIC LATCHES

| Hydraulic Latches | | | | | | | | | | | | | |
|-------------------|--|--------|------|--------|-------|------------|-------|----------------|-----------------|-------------|-------------------------------|--------|---------|
| Part No. | Description | Height | | Length | | Top Length | | Mounting Holes | Base Dimensions | | Indicator Type | Weight | |
| | | in. | mm | in. | mm | in. | mm | | in. | mm | | lbs. | g |
| LH50000116 | LATCH, PACKARD CONNECTOR | 3.20 | 81.3 | 6.50 | 165.1 | 4.5 | 114.3 | 4 | 4.5X4 | 114.3X101.6 | NORMALLY ON PACKARD CONNECTOR | 3.4 | 1542.21 |
| LH50000118 | LATCH | 3.20 | 81.3 | 6.50 | 165.1 | 4.5 | 114.3 | 4 | 4.5X4 | 114.3X101.6 | NORMALLY CLOSED | 3.4 | 1542.21 |
| LH50000119 | LATCH ASM VISUAL INDICATOR | 3.20 | 81.3 | 6.50 | 165.1 | 4.5 | 114.3 | 4 | 4.5X4 | 114.3X101.6 | NORMALLY OPEN | 3.4 | 1542.21 |
| LH50000123 | LATCH NORMALLY CLOSED W/PROXIMITY SENSOR | 3.20 | 81.3 | 6.50 | 165.1 | 4.5 | 114.3 | 4 | 4.5X4 | 114.3X101.6 | NORMALLY CLOSED | 3.4 | 1542.21 |
| LH50000124 | LATCH ASM AND SWP CONNECTOR | 3.20 | 81.3 | 6.50 | 165.1 | 4.5 | 114.3 | 4 | 4.5X4 | 114.3X101.6 | NORMALLY OPEN | 3.6 | 1642.00 |
| LH50000125 | LATCH ASM, SWP CONNECTOR, AND BLEEDER | 3.20 | 81.3 | 6.50 | 165.1 | 4.5 | 114.3 | 4 | 4.5X4 | 114.3X101.6 | NORMALLY OPEN | 3.7 | 1660.15 |
| LH50000126 | LATCH ASM W/PROX SWITCH | 3.20 | 81.3 | 6.50 | 165.1 | 4.5 | 114.3 | 4 | 4.5X4 | 114.3X101.6 | NORMALLY OPEN | 3.7 | 1691.90 |
| LH50000127 | LATCH ASM VISUAL INDICATOR W/ SWITCH | 3.20 | 81.3 | 6.50 | 165.1 | 4.5 | 114.3 | 4 | 4.5X4 | 114.3X101.6 | VISUAL INDICATOR | 3.4 | 1542.21 |
| LH50000129 | LATCH ASM W/TRUCK SWITCH | 3.20 | 81.3 | 6.50 | 165.1 | 4.5 | 114.3 | 4 | 4.5X4 | 114.3X101.6 | NORMALLY CLOSED | 4.0 | 1814.37 |
| LH50000132 | LATCH ASM HYD | 3.20 | 81.3 | 6.50 | 165.1 | 4.5 | 114.3 | 4 | 4.5X4 | 114.3X101.6 | VISUAL INDICATOR | 3.4 | 1542.21 |



CAB SUSPENSION



A smoother ride with improved durability

Ride quality matters. When a truck rides better, the driver is happier, healthier and more productive. Cab suspension components are crucial to enhancing driver comfort and reducing fatigue due to long hours behind the wheel. Learn how Power-Packer's cab suspension system enhances driver safety and comfort.

CAB SUSPENSION OVERVIEW FOR UP TO 2,000 LB VERTICAL LOAD

SAFETY & COMFORT

Isolate the driver and cab from vibration damage and shock, improving driver safety and comfort, while decreasing cab wear and tear. Cab suspension is adjustable and available for driver and passenger sides of the vehicle.

INTEGRATION OPTIONS

Integrate latches with suspension assemblies for one complete system.

DESIGN OPTIONS

Cab suspension is available with and without rubber dampers. Rubber dampers are ideal for rough duty cycles, because the arm limits air shock travel, increasing the life cycle in rougher terrain.

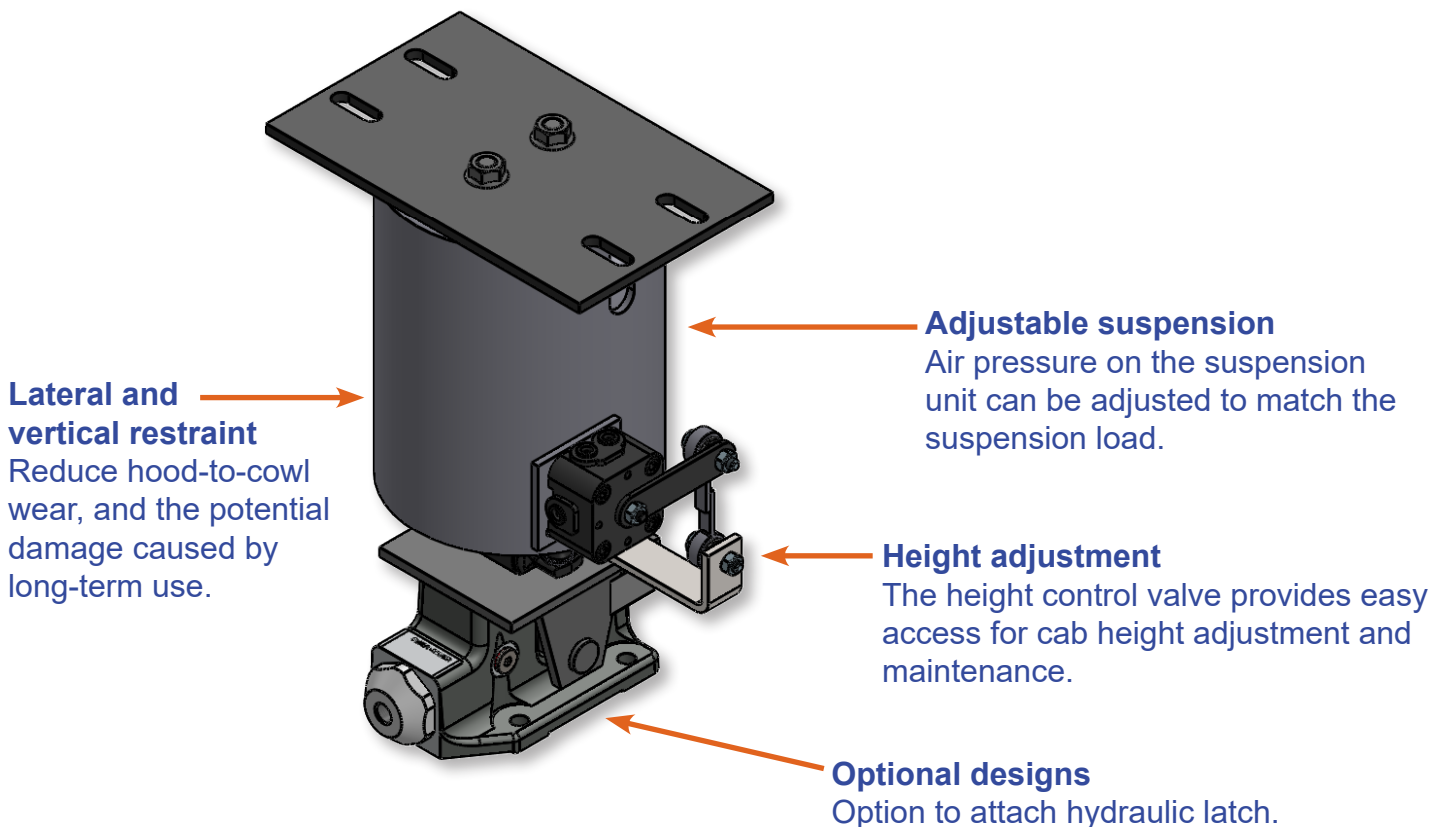


CAB SUSPENSION

A bolt-on air cab suspension system that is easily integrated into your next application. With the option to place on either the driver or passenger side, our cab suspension creates a smooth ride for passengers, while eliminating the wear and tear on your vehicle. Other features and benefits include:

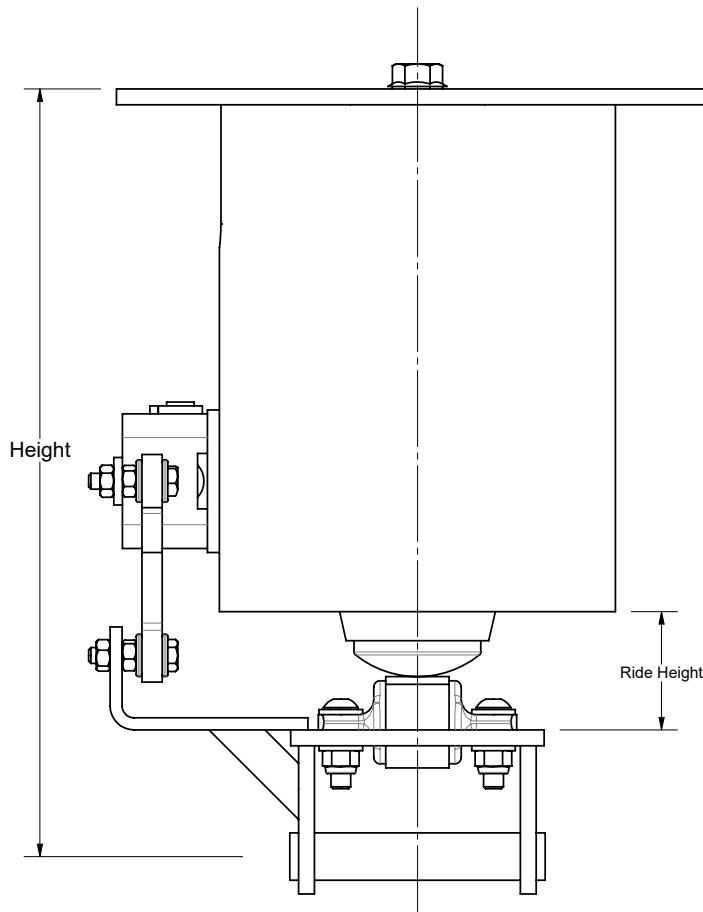
- 120 psi max operating pressure
- 2,000 lb. load capacity at 100 psi
- 1.7 in. vertical suspension travel

Why Choose Power-Packer Cab Suspension



CAB SUSPENSION

| Cab Suspension | | | | | | | | | | |
|------------------|--------|-------|----------------|------|-----------------|-------------|------------------------|------|--|--------|
| Part No. | Height | | Mounting Width | | Mounting Length | | Max Operating Pressure | | Load Capacity at 100 psi (kN) at 6.9 bar | |
| | in. | mm | in. | mm | in. | mm | psi | bar | lbs. | kg |
| Driver | | | | | | | | | | |
| AS50101331 | 11.7 | 297.2 | 2.25 | 57.2 | 6.7-8.5 | 170.2-215.9 | 120 | 8.27 | 2000 | 907.18 |
| KA5089 | 11.7 | 297.2 | 2.25 | 57.2 | 6.7-8.5 | 170.2-215.9 | 120 | 8.27 | 2000 | 907.18 |
| AS50101335 | 11.7 | 297.2 | 2.25 | 57.2 | 6.7-8.5 | 170.2-215.9 | 120 | 8.27 | 2000 | 907.18 |
| AS50101319 | 11.7 | 297.2 | 2.25 | 57.2 | 6.7-8.5 | 170.2-215.9 | 120 | 8.27 | 2000 | 907.18 |
| PP938900-2G | 11.7 | 297.2 | 2.25 | 57.2 | 6.7-8.5 | 170.2-215.9 | 120 | 8.27 | 2000 | 907.18 |
| Passenger | | | | | | | | | | |
| AS50101332 | 11.7 | 297.2 | 2.25 | 57.2 | 5.3-6.9 | 134.6-175.3 | 120 | 8.27 | 2000 | 907.18 |
| KA5090 | 11.7 | 297.2 | 2.25 | 57.2 | 5.3-6.9 | 134.6-175.3 | 120 | 8.27 | 2000 | 907.18 |
| AS50101336 | 11.7 | 297.2 | 2.25 | 57.2 | 5.3-6.9 | 134.6-175.3 | 120 | 8.27 | 2000 | 907.18 |
| AS50101320 | 11.7 | 297.2 | 2.25 | 57.2 | 5.3-6.9 | 134.6-175.3 | 120 | 8.27 | 2000 | 907.18 |
| PP939900-2G | 11.7 | 297.2 | 2.25 | 57.2 | 5.3-6.9 | 134.6-175.3 | 120 | 8.27 | 2000 | 907.18 |
| KA5083 | 11.7 | 297.2 | 2.25 | 57.2 | 6.7-8.5 | 170.2-215.9 | 120 | 8.27 | 2000 | 907.18 |
| KA5084 | 11.7 | 297.2 | 2.25 | 57.2 | 6.7-8.5 | 170.2-215.9 | 120 | 8.27 | 2000 | 907.18 |
| KA5087 | 11.7 | 297.2 | 2.25 | 57.2 | 6.7-8.5 | 170.2-215.9 | 120 | 8.27 | 2000 | 907.18 |
| KA5088 | 11.7 | 297.2 | 2.25 | 57.2 | 6.7-8.5 | 170.2-215.9 | 120 | 8.27 | 2000 | 907.18 |



HYDRAULIC PUMPS



Deliver the right amount of energy to get your equipment moving

Choose from a variety of hydraulic pump designs to meet your specific energy transfer needs.

HYDRAULIC PUMPS OVERVIEW FOR UP TO MAXIMUM OF 5,000 PSI

BUILD A SYSTEM

Choose a pump as part of a built system (pump, cylinder and latch), and you can consolidate vendors and potentially reduce production lead times. Plus, each of our products is engineered to seamlessly integrate into your hydraulic circuit for peak efficiency.

FLEXIBILITY

Power-Packer offers a variety of pump sizes and designs (hand, air or electric) to meet your specific needs, from high-quality electric pumps that simply require the push of a button, to standard hand pumps that ensure work doesn't stop even if you lose power.

STREAMLINED FLOW CONTROL

Each pump has an integrated, directional control valve that allows the operator to easily raise and lower the cab. The spool has a built-in metering orifice to control the flow as the cab descends.

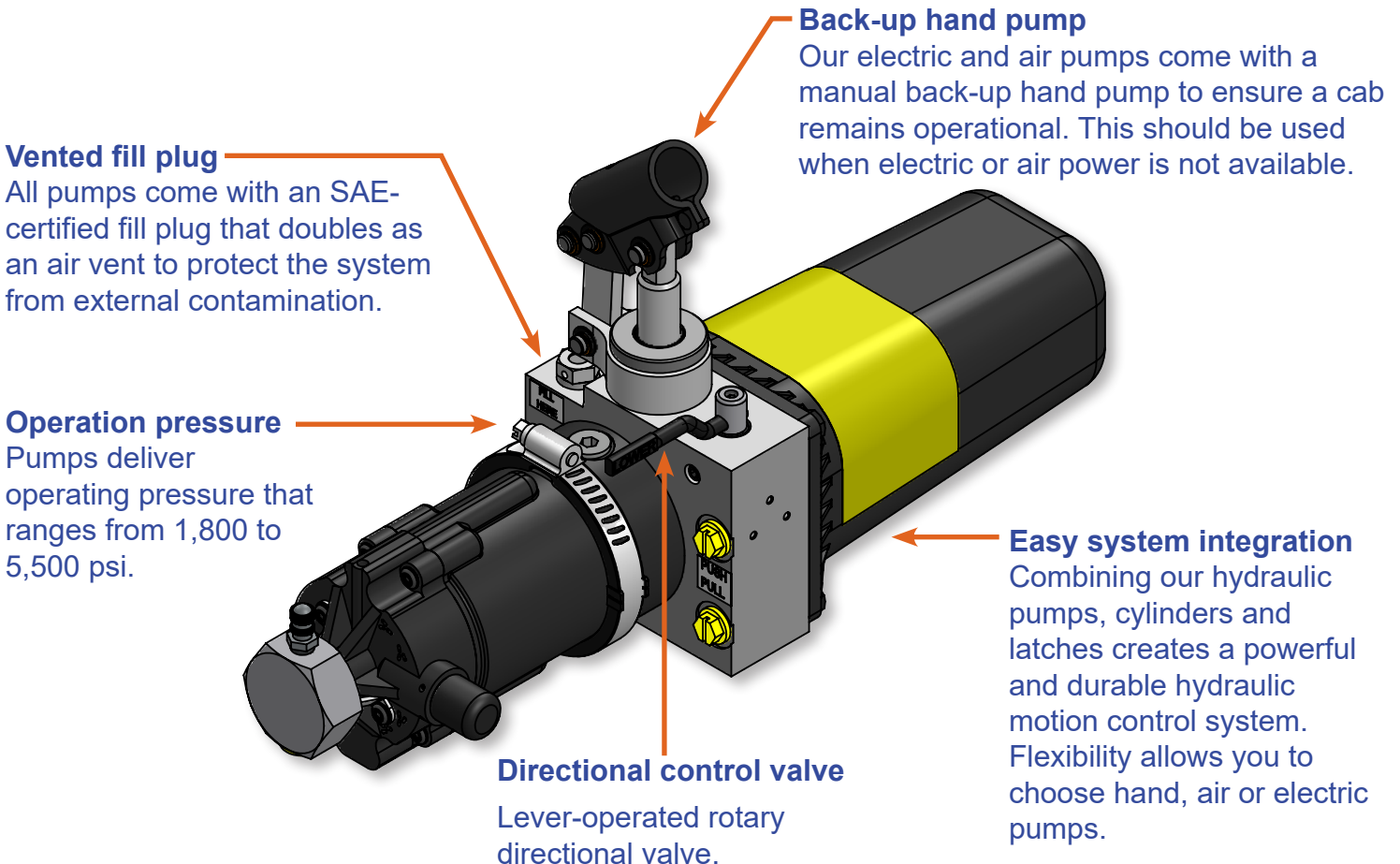


HYDRAULIC PUMPS

Whether you need a basic hydraulic hand pump, or are looking for a more advanced pump that activates at the touch of a button, Power-Packer has a variety of hydraulic pumps that will easily integrate into your application.

| Hand pumps | Air and electric pumps | All pumps |
|---|--|---|
| Relief valve setting: 1,800-5,500 psi (124 to 380 bar) | Relief valve setting: 3,200 to 3,500 psi (220.7 to 241.4 bar) | Recommended operating temperature: -30 to 130 F (-34 to 54 C) |
| Maximum operating pressure: 5,500 psi (380 bar) | Maximum operating pressure: 3,500 psi (269 bar) | Reservoir capacity: 35 and 70 cubic in. (574 and 1,178 cubic cm) |
| Weight: 5.3 lbs. (2.4 kg) | Weight: 7.8 lbs. (3.5 kg) | Fluid: MIL-PRF-5606 or equivalent. Do not use ATF. |

Why Choose Power-Packer Hydraulic Pumps



HYDRAULIC PUMPS

| Hydraulic Pumps | | | | | |
|-----------------|-------------------------|-------------|---|----------------|-------|
| Part No. | Pressure Relief Setting | | Description | Working Volume | |
| | psi | bar | | Cubic in. | Liter |
| 9010001310 | 3200-3500 | 220.6-241.3 | AIR PUMP (.69) 3200 35CI | 35 | 0.574 |
| AU1340413 | 4000-4300 | 275.8-296.5 | UNIT AIR/MANUAL PUMP | 35 | 0.574 |
| AU1340414 | 4000-4300 | 275.8-296.5 | AIR/MANUAL PUMP | 65 | 1.065 |
| AU1340415 | 1700-2000 | 117.2-137.9 | AIR/MANUAL PUMP | 35 | 0.574 |
| AU1340417 | 3200-3500 | 220.6-241.3 | AIR/MANUAL PUMP | 35 | 0.574 |
| AU1340418 | 3200-3500 | 220.6-241.3 | AIR PUMP | 35 | 0.574 |
| AU1340419 | 2700-3000 | 186.2-206.8 | AIR/MANUAL PUMP | 35 | 0.574 |
| AU1340420 | 2700-3000 | 186.2-206.8 | AIR/MANUAL PUMP | 65 | 1.065 |
| AU1340421 | 3200-3500 | 220.6-241.3 | AIR PUMP | 65 | 1.065 |
| AU1340423 | 3200-3500 | 220.6-241.3 | PUMP ASSY AIR / MANUAL .75 | 65 | 1.065 |
| AU1340424 | 2700-3000 | 186.2-206.8 | AIR/MANUAL PUMP | 65 | 1.065 |
| AU1340426 | 3700-4000 | 255.1-275.8 | AIR/MANUAL PUMP 3700-4000 NO DECAL SHORT HANDLE | 65 | 1.065 |
| AU1540413 | 4500-4800 | 310.3-331.0 | ASSEMBLY AIR/MANUAL PUMP | 35 | 0.574 |
| AU1540417 | 3800-4200 | 262.0-289.6 | ASSEMBLY AIR PUMP | 35 | 0.574 |
| AU1540418 | 4000-4200 | 275.8-289.6 | AIR PUMP (.56) 4000 35CI | 35 | 0.574 |
| AU1540420 | 4000-4200 | 275.8-289.6 | ASSEMBLY AIR PUMP (LONG) | 65 | 1.065 |
| AU1540422 | 4000-4200 | 275.8-289.6 | MANUAL ASSY AIR PUMP | 65 | 1.065 |
| AU1540424 | 3800-4200 | 262.0-289.6 | ASSEMBLY AIR PUMP | 35 | 0.574 |
| AU1540425 | 3800-4200 | 262.0-289.6 | AIR/MANUAL PUMP .56 3800-4200 | 35 | 0.574 |
| EP25044300 | 2100-2400 | 144.8-165.5 | PUMP CAB TILT ELECTRIC/MANUAL 24V .69 2400 DEUTSCH | 60 | 0.983 |
| EP35013300 | 3100-3400 | 213.7-234.4 | PUMP CAB TILT ELECTRIC/MANUAL 12V .69 3400 | 60 | 0.983 |
| EP35013301 | 2700-3000 | 186.2-206.8 | PUMP CAB TILT ELECTRIC/MANUAL 12V .69 3000 | 60 | 0.983 |
| EP35013304 | 3100-3400 | 213.7-234.4 | PUMP CAB TILT ELECTRIC/MANUAL 24V .69 3400 METRI-PACK | 60 | 0.983 |
| EP35013308 | 3100-3400 | 213.7-234.4 | PUMP CAB TILT ELECTRIC/MANUAL 24V .69 3400 DEUTSCH | 60 | 0.983 |
| EP35013311 | 3100-3400 | 213.7-234.4 | PUMP CAB TILT ELECTRIC/MANUAL 12V .69 3400 | 35 | 0.574 |
| HP50024204 | 4000-4200 | 275.8-289.6 | HAND PUMP (.56) 4000 35CI PAINTED FMTV CAB TILT | 35 | 0.574 |

HYDRAULIC PUMPS

| Hydraulic Pumps | | | | | |
|-----------------|-------------------------|-------------|--|----------------|-------|
| Part No. | Pressure Relief Setting | | Description | Working Volume | |
| | psi | bar | | Cubic in. | Liter |
| HP50024207 | 5200-5500 | 358.8-379.2 | HAND PUMP .56 | 35 | 0.574 |
| HP50024209 | 6000-6200 | 413.7-427.5 | HAND PUMP (.56) 6000 35CI SPINDLE | 35 | 0.574 |
| HP50027203 | 4700-5000 | 324.1-344.7 | HAND PUMP (.56) 4700 65CI SPINDLE | 65 | 1.065 |
| HP50034200 | 4700-5000 | 324.1-344.7 | HAND PUMP (.69) 4000 35CI LEVER | 35 | 0.574 |
| HP50034201 | 4000-4300 | 275.8-296.5 | HAND PUMP (.69) | 35 | 0.574 |
| HP50034203 | 3200-3500 | 220.6-241.3 | PUMP, HAND | 35 | 0.574 |
| HP50034204 | 4000-4300 | 275.8-296.5 | HAND PUMP (.69) 4000 35CI LEVER | 35 | 0.574 |
| HP50034206 | 3200-3500 | 220.6-241.3 | HAND PUMP (.69) 3200 35CI LEVER | 35 | 0.574 |
| HP50034207 | 3600-3900 | 248.2-268.9 | HAND PUMP (.69) 3600 35CI LEVER | 35 | 0.574 |
| HP50034208 | 2700-3200 | 186.2-220.6 | HAND PUMP (.69) 2700 35CI W ADAPTER SERVICE | 35 | 0.574 |
| HP50034210 | 4000-4300 | 275.8-296.5 | HAND PUMP (.69) 4000 35CI LEVER | 35 | 0.574 |
| HP50034216 | 3600-3900 | 248.2-268.9 | HAND PUMP (.69) 3600 35CI PADDLE | 35 | 0.574 |
| HP50037200 | 2700-3000 | 186.2-206.8 | HAND PUMP (.69) 4000 65CI LEVER | 35 | 0.574 |
| HP50037202 | 2700-3000 | 186.2-206.8 | HAND PUMP (.69)W/ADAPTER +SERV | 35 | 0.574 |
| HP50037203 | 2700-3000 | 186.2-206.8 | HAND PUMP (.69) 2700 65CI LEVER | 35 | 0.574 |
| HP50037205 | 4000-4300 | 275.8-296.5 | HAND PUMP (.69) | 35 | 0.574 |
| HP50037207 | 3200-3500 | 220.6-241.3 | UNIT HAND PUMP LARGE RESERVO | 35 | 0.574 |
| HP50044201 | 3200-3500 | 220.6-241.3 | HAND PUMP (.75) 3200 35CI LEVER | 35 | 0.574 |
| HP50044203 | 2100-2300 | 144.8-158.6 | HAND PUMP (.75) | 35 | 0.574 |
| HP50044204 | 3200-3500 | 220.6-241.3 | HAND PUMP (.75) 3200 35CI LEVER | 35 | 0.574 |
| HP50044207 | 3200-3500 | 220.6-241.3 | HAND PUMP (.75) | 35 | 0.574 |
| HP50044208 | 3000-3200 | 206.8-220.6 | HAND PUMP (.75) 3000 35CI SPINDLE W HANDLE | 35 | 0.574 |
| HP50044210P | 3200-3500 | 220.6-241.3 | ASM HYD HAND PUMP W/ PACKI | 35 | 0.574 |
| HP50044215 | 3200-3500 | 220.6-241.3 | HAND PUMP (.75) 3200 35 CI W/ DUAL PORT BODY | 35 | 0.574 |
| HP50047201 | 3000-3200 | 206.8-220.6 | HAND PUMP (.75) | 35 | 0.574 |

VALVE ASSEMBLIES & CONTROL BOXES



Power, performance and reliability for the toughest applications

Maintain complete operation over your hydraulic systems with control boxes that feature a self-contained power source.

VALVE ASSEMBLIES & CONTROL BOXES

LOAD HOLDING

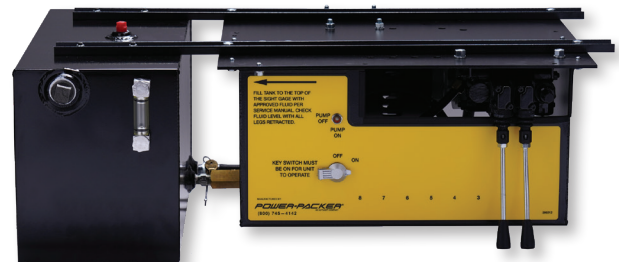
Valve assemblies' loads are held by the load valves at the leg not at the control valve. Additionally, the hoses are only pressurized when the leg is in motion.

VALVE OPTIONS

Valve options include spool valve control, up to six cylinders, with either manual operation or solenoid spool operation. Integral relief in the spool valve protects the system from excessive pump pressure. The relief is set at 2,500 psi for standard units.

RESERVOIR OPTIONS

Sizes available from 6.5 to 13 gallons. Ten-micron filtration, reservoir breather and an oil level gauge are included in the reservoir assembly.



VALVE ASSEMBLIES & CONTROL BOXES

Available in a variety of configurations, Power-Packer's control boxes are designed to meet your unique application needs. Features include:

- **Electric- or gas-powered hydraulic controls**
- **2- to 6-valve manual or pendant flow control**
- **6.5- or 11-gallon reservoir options**

Why Choose Power-Packer Valve Assemblies & Control Boxes

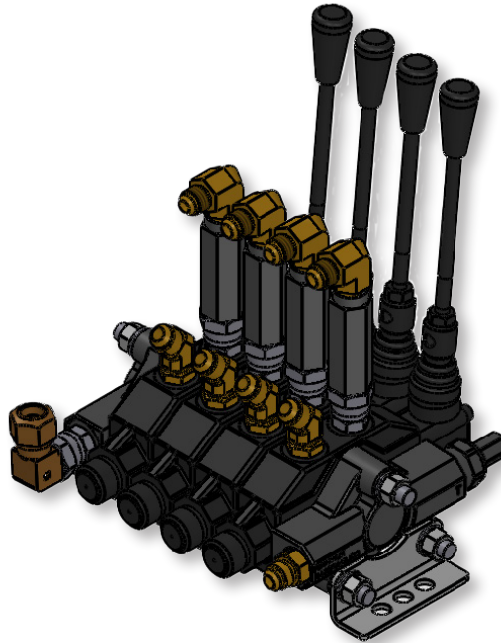
VALVE ASSEMBLY

Stability

Control is better maintained because the load is held by the valves at the leg, not at the control valve. Torque output can also be precisely adjusted.

Smooth retraction operation

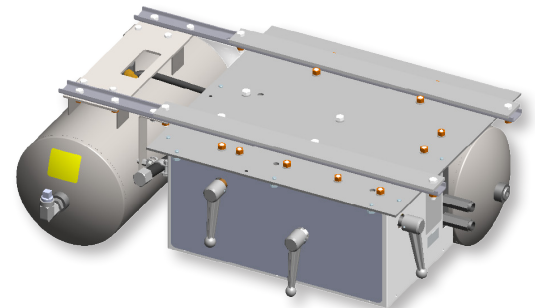
Helps maintain smooth movement when operating the cylinder, stabilization legs or outriggers.



CONTROL BOX

Standard control boxes use manually operated directional control valves for independent control of up to six legs.

Electrical control option has a handheld pendant for remote operation of the control box valve spools, with a 20-foot cable on the pendant for ease of operation.



VALVE ASSEMBLIES & CONTROL BOXES

| Valve Assemblies | | |
|------------------|------------------|---------------------------|
| Part No. | Number of Valves | Notes |
| 3025-2 | 2 | VALVE 2 BANK 2 OC PO ASSY |
| 3025-4 | 4 | VALVE 4 BANK 4 OC PO ASSY |
| 3025-5 | 5 | VALVE 5 BANK 5 OC PO ASSY |
| 3025-6 | 6 | VALVE 6 BANK 6 OC PO ASSY |
| 3027-4 | 4 | VALVE 4 BANK 4 OC PB ASSY |

| Control Boxes | | | | | | | | | | |
|---------------|-------------|-------------|------------|---------------------|----------------|-------|-----------|-------|--------------|-----------------|
| Part No. | Input Power | # of Valves | Valve Type | Valve Configuration | Reservoir Size | | Flow Rate | | Power Beyond | Pendant Control |
| | | | | | Gallon | Liter | gpm | lpm | | |
| 300546-ES | 12 V DC | 0 | | | 11.0 | 41.64 | 1.3 | 4.92 | No | No |
| 300215-ES | 12 V DC | 2 | Manual | OPEN CTR | 6.5 | 24.61 | 1.3 | 4.92 | No | No |
| 300217 | 12 V DC | 4 | Manual | OPEN CTR | 6.5 | 24.61 | 1.3 | 4.92 | No | No |
| 300400-ES | 12 V DC | 4 | Manual | OPEN CTR | 6.5 | 24.61 | 1.3 | 4.92 | Yes | No |
| 3510000227 | 12 V DC | 4 | Solenoid | OPEN CTR | 6.5 | 24.61 | 1.3 | 4.92 | No | Pendant |
| 300223 | 12 V DC | 5 | Manual | OPEN CTR | 6.5 | 24.61 | 1.3 | 4.92 | No | No |
| 300219-ES | 12 V DC | 6 | Manual | OPEN CTR | 6.5 | 24.61 | 1.3 | 4.92 | No | No |
| 300231-ES | 12 V DC | 6 | Manual | OPEN CTR | 6.5 | 24.61 | 1.3 | 4.92 | Yes | No |
| 300251-ES | 24 V DC | 2 | Manual | OPEN CTR | 6.5 | 24.61 | 1.8 | 6.81 | No | No |
| 300253-ES | 24 V DC | 4 | Manual | OPEN CTR | 6.5 | 24.61 | 1.8 | 6.81 | No | No |
| 3510000356 | 24V DC | 4 | Manual | OPEN CTR | 6.5 | 24.61 | 1.8 | 6.81 | No | No |
| 3510000402 | 575 V AC | 4 | Solenoid | OPEN CTR | 6.5 | 24.61 | 2.1 | 7.95 | No | Pendant |
| 300600 | Gas Powered | 0 | | | 11.0 | 41.64 | 2.8 | 10.41 | No | No |

HYDRAULIC STABILIZATION, POSITION AND MOTION CONTROL SOLUTIONS FOR YOUR SPECIFIC APPLICATIONS



Hydraulic Stabilization Systems and Components

A comprehensive line of hydraulic stabilization legs and outriggers that are engineered for power and performance.



Hydraulic Cab Tilt Systems

An extensive range of tilt cylinders, hydraulic pumps, hydraulic latches and hood assist units for cab tilting systems.

POWER-PACKER®
PROGRESS IN MOTION

ABOUT POWER-PACKER

Power-Packer engineers and manufactures a robust, innovative line of hydraulic position and motion control products that have become the gold standard in excellence for tilting, latching, leveling, lifting and stabilizing systems used in many of today's most demanding markets. We have headquarters in the Netherlands and the U.S., as well as manufacturing plants strategically located around the world. No matter your application, design challenge or geographic location, Power-Packer engineers can work with you to develop the right custom hydraulics solution to help you and your employees work smarter and safer.

Power-Packer Mfg.
516 Hillcrest Drive
Westfield, WI 53964
800-745-4142
info@powerpackerus.com
powerpackerus.com